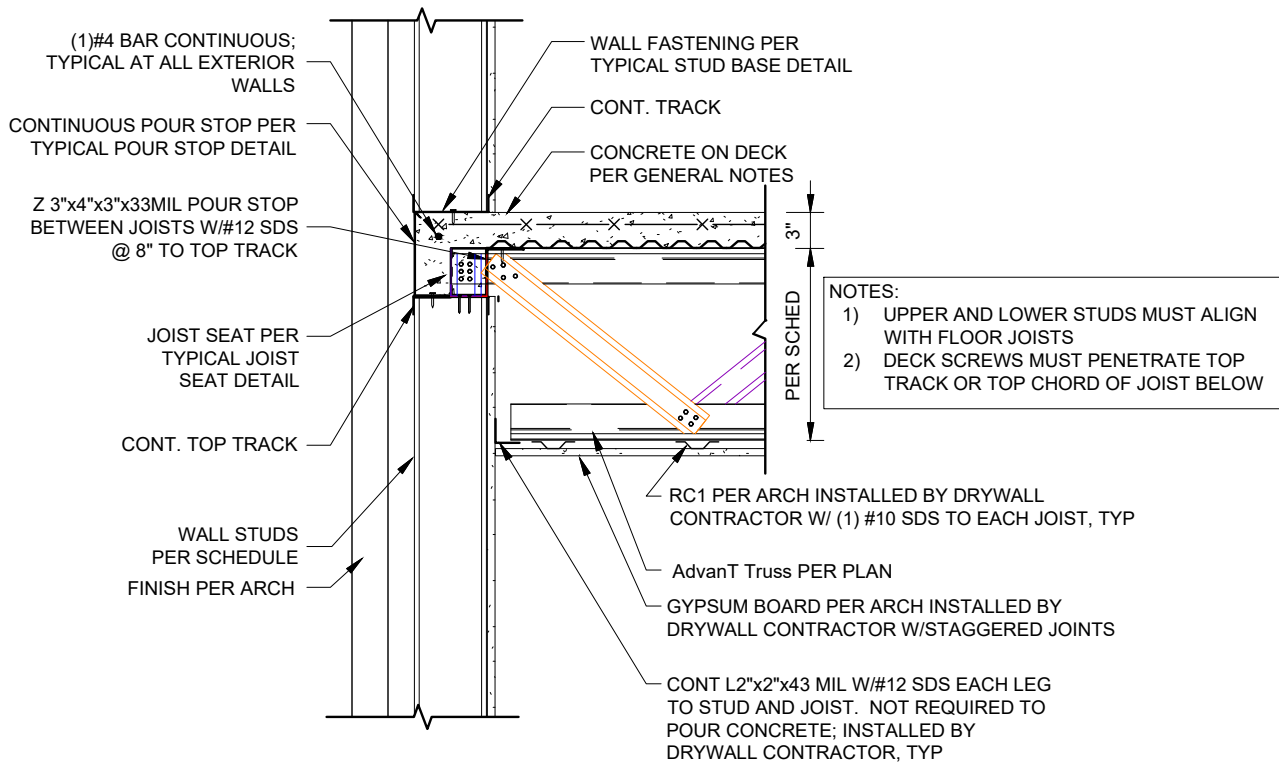
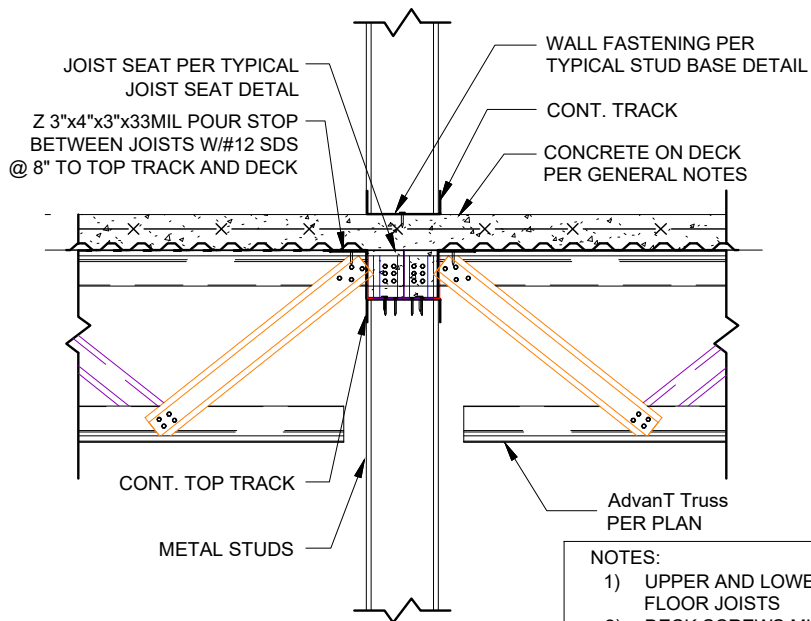


1 CONCRETE ON JOISTS BEARING AT COMPOSITE DECK W/PLATE
 CF-100 1" = 1'-0"



2 CONCRETE ON JOISTS BEARING AT EXTERIOR WALL
CF-100 1" = 1'-0"

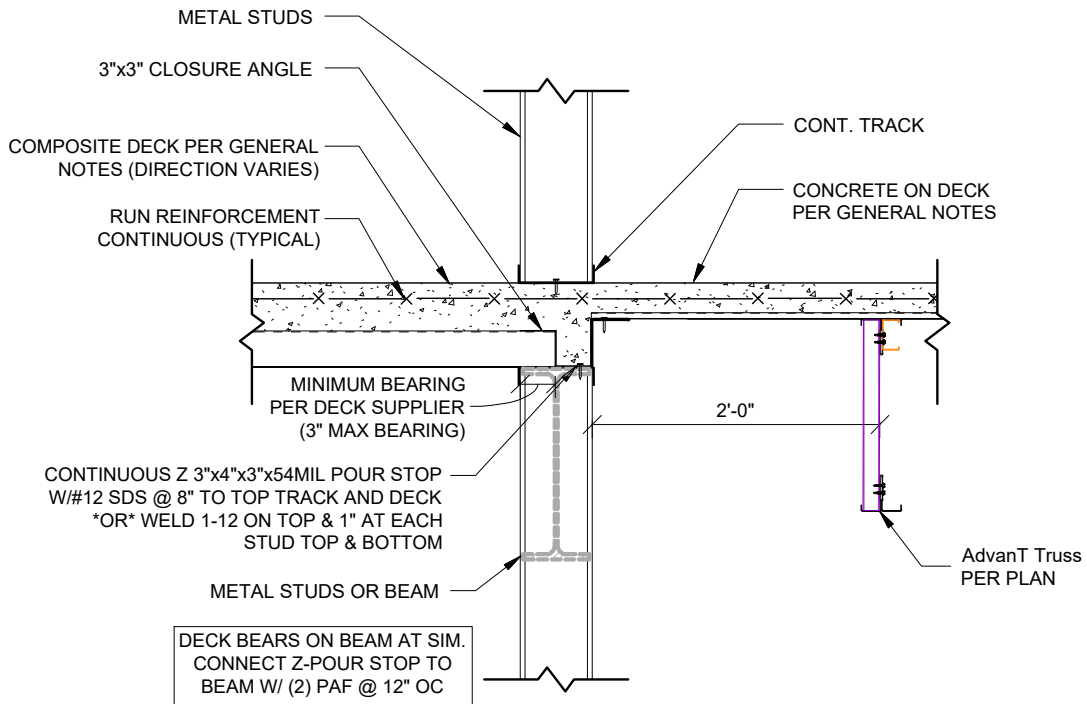


- NOTES:
- 1) UPPER AND LOWER STUDS MUST ALIGN WITH FLOOR JOISTS
 - 2) DECK SCREWS MUST PENETRATE TOP TRACK OR TOP CHORD OF JOIST BELOW

3 CONCRETE ON JOISTS BEARING AT INTERIOR WALL
 CF-100 1" = 1'-0"



| | |
|------------|------------------|
| DETAIL NO. | 3/CF-100 |
| CATEGORY: | STANDARD DETAILS |
| DATE | 10/31/2023 |



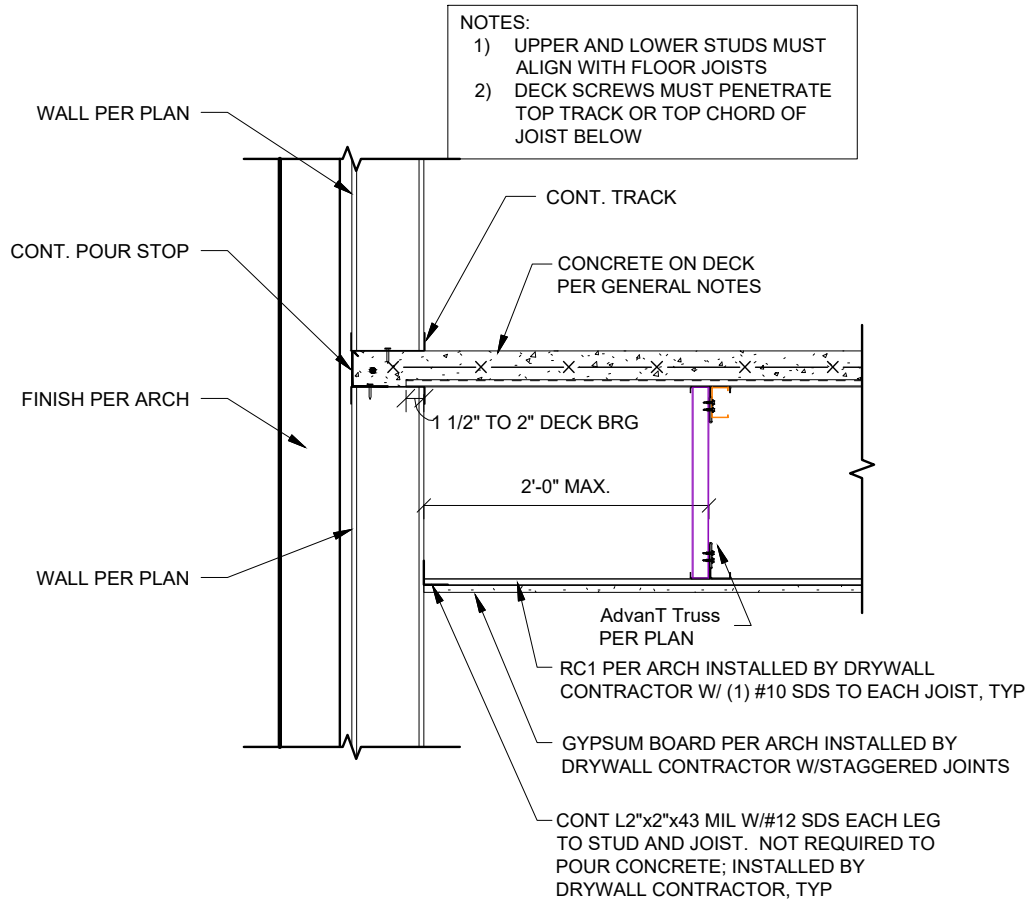
4 CONCRETE ON JOISTS PARALLEL TO COMPOSITE DECK
 CF-100 1" = 1'-0"



DETAIL NO.
 4/CF-100

CATEGORY:
 STANDARD DETAILS

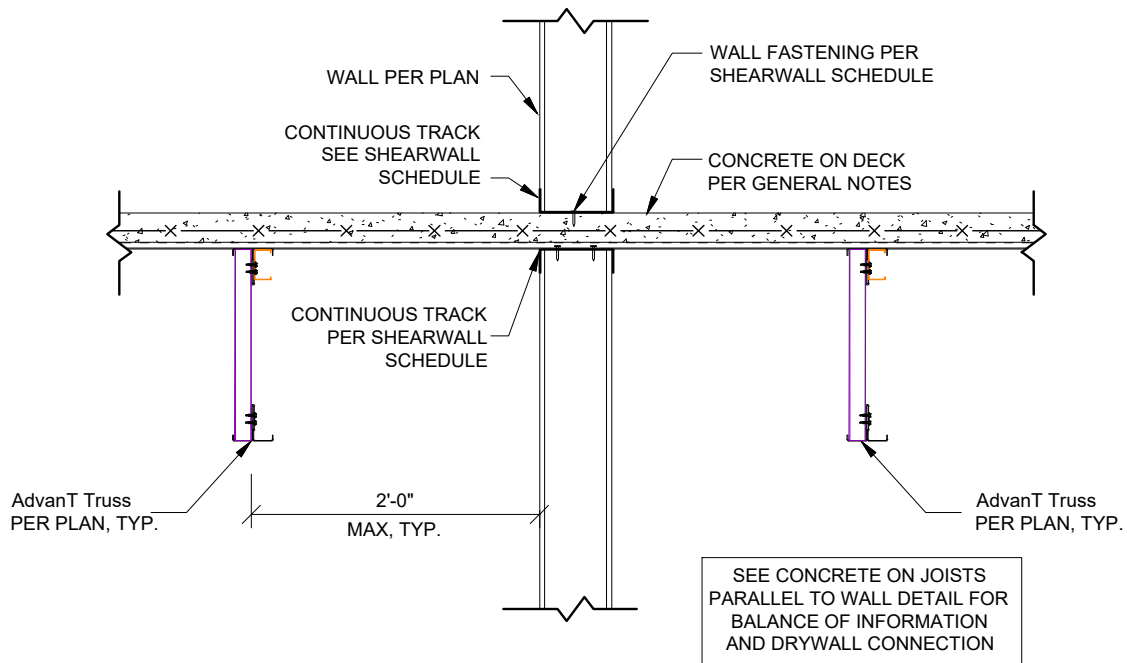
DATE
 10/31/2023



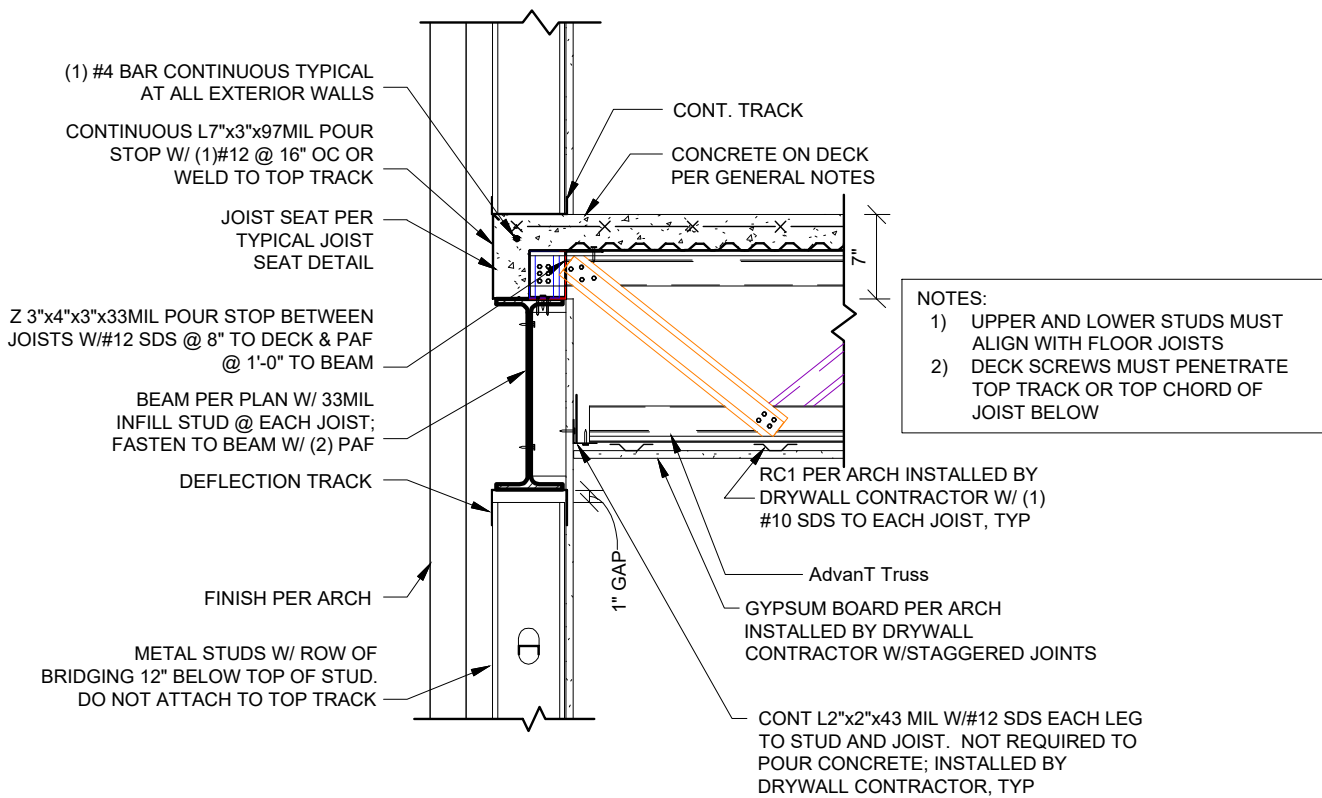
5
CF-100

CONCRETE ON JOISTS PARALLEL TO EXTERIOR/SHAFT WALL

1" = 1'-0"



6 CONCRETE ON JOISTS PARALLEL TO INTERIOR WALL
 CF-100 1" = 1'-0"



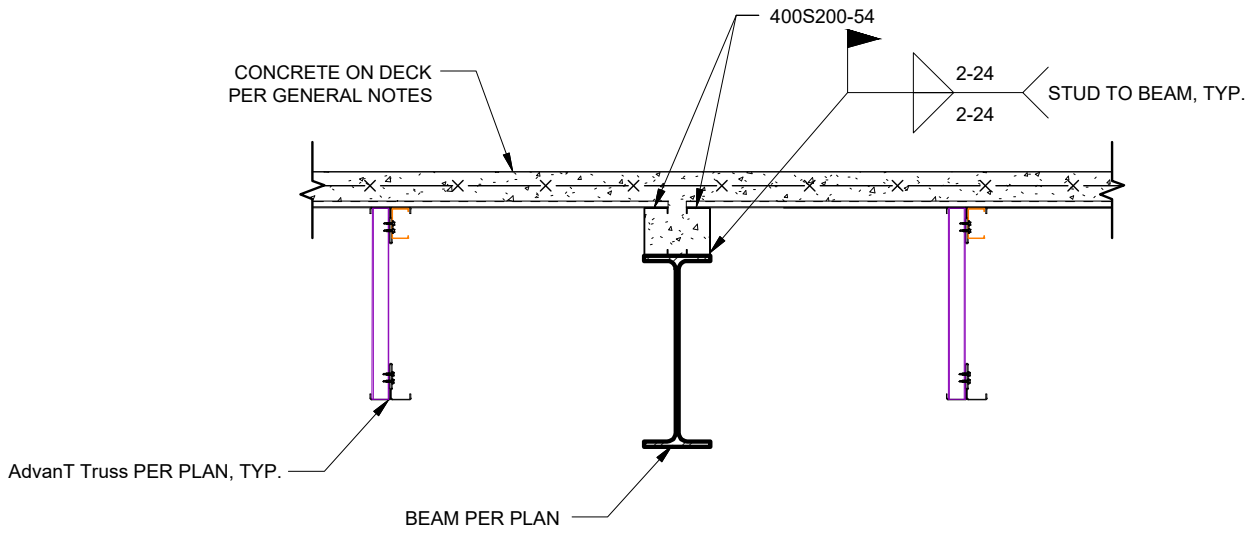
7 CONCRETE ON JOIST BEARING ON BEAM AT EXTERIOR
 CF-100 1" = 1'-0"



DETAIL NO.
7/CF-100

CATEGORY:
 STANDARD DETAILS

DATE
 10/31/2023



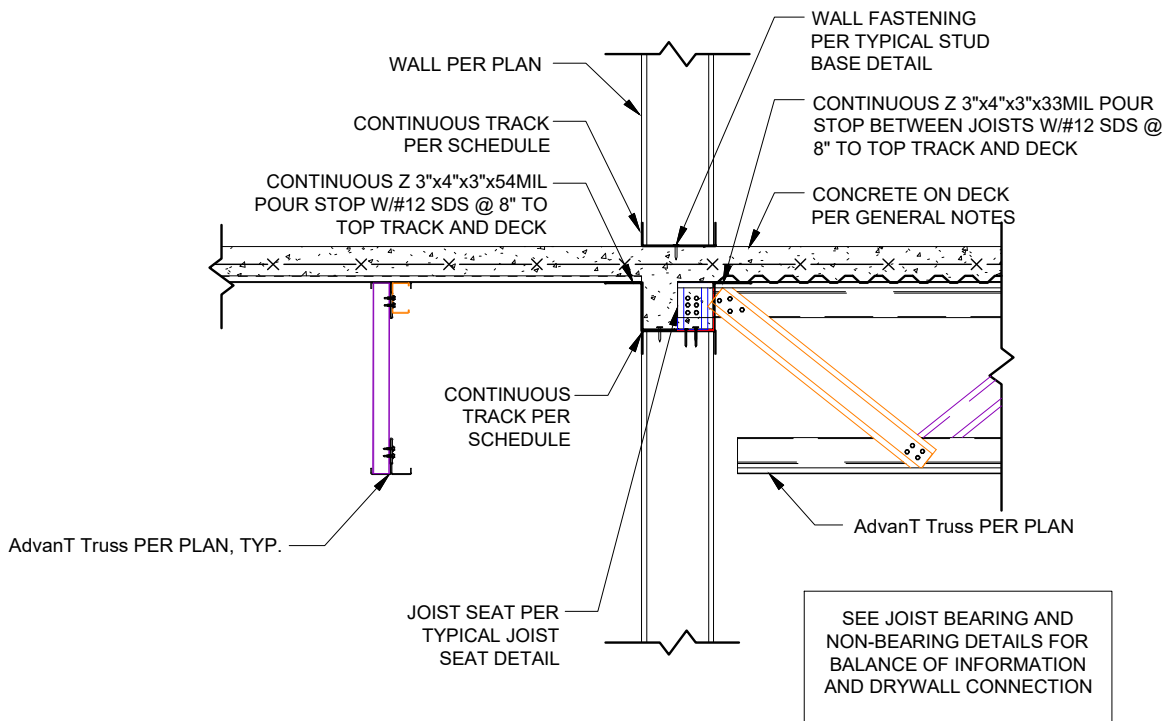
8 CONCRETE ON BEAM PARALLEL TO JOISTS
 CF-100 1" = 1'-0"



DETAIL NO.
 8/CF-100

CATEGORY:
 STANDARD DETAILS

DATE
 10/31/2023



9 CONCRETE ON JOISTS AT DIRECTION CHANGE
 CF-100 1" = 1'-0"

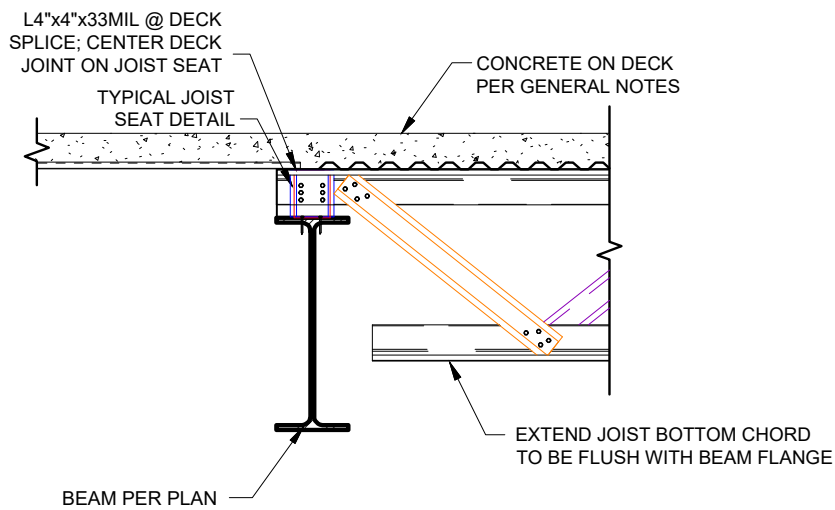


DETAIL NO.
 9/CF-100

CATEGORY:
 STANDARD DETAILS

DATE 10/31/2023

NOTE: JOISTS ARE SHOWN PERPENDICULAR TO BEAM. ANGLE MAY VARY AT SOME LOCATIONS, SEE PLAN



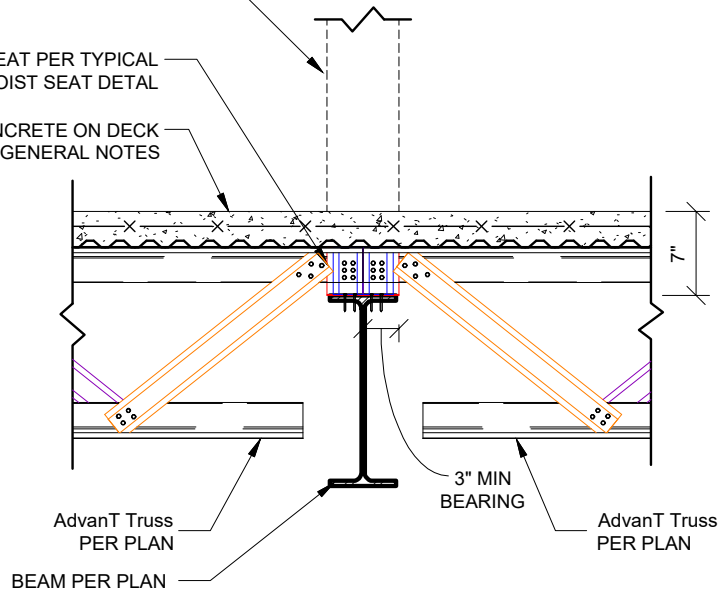
10
CF-100

CONCRETE ON JOISTS AT DIRECTION CHANGE AT BEAM
1" = 1'-0"

WALLS AS REQ'D PER PLAN. SEE
CONCRETE ON JOISTS BEARING
AT INTERIOR WALL DETAIL

JOIST SEAT PER TYPICAL
JOIST SEAT DETAIL

CONCRETE ON DECK
PER GENERAL NOTES



11
CF-100

CONCRETE ON JOISTS BEARING AT BEAM

1" = 1'-0"



DETAIL NO.

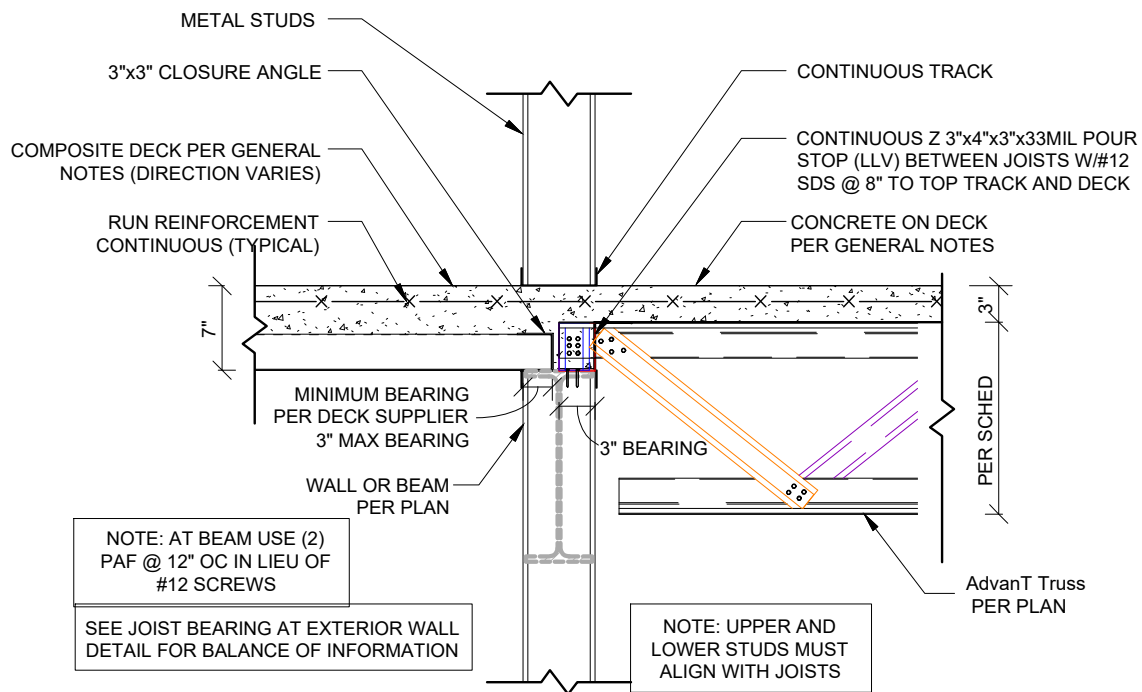
11/CF-100

CATEGORY:

STANDARD DETAILS

DATE

10/31/2023



CONCRETE ON JOISTS BEARING AT COMPOSITE DECK

12
CF-100

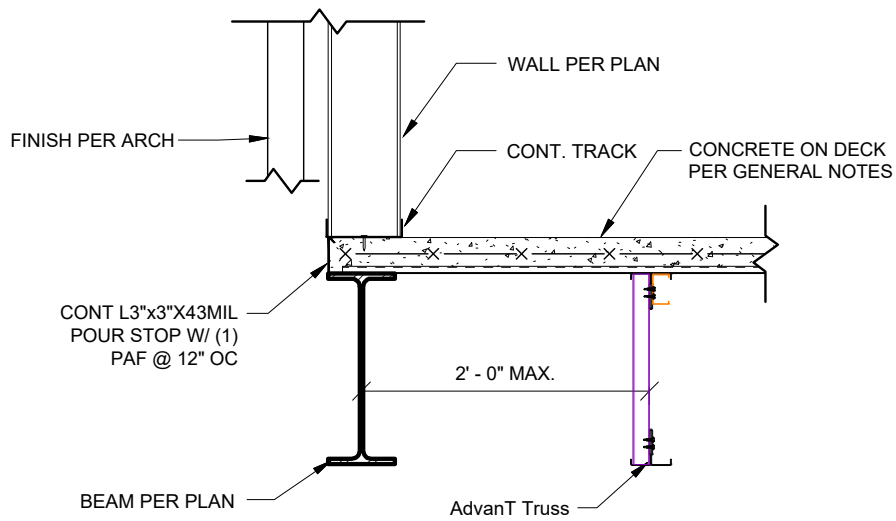
1" = 1'-0"



DETAIL NO.
12/CF-100

CATEGORY:
STANDARD DETAILS

DATE
10/31/2023



13 BEAM AT EXTERIOR WALL PARALLEL TO JOISTS
 CF-100 1" = 1'-0"